



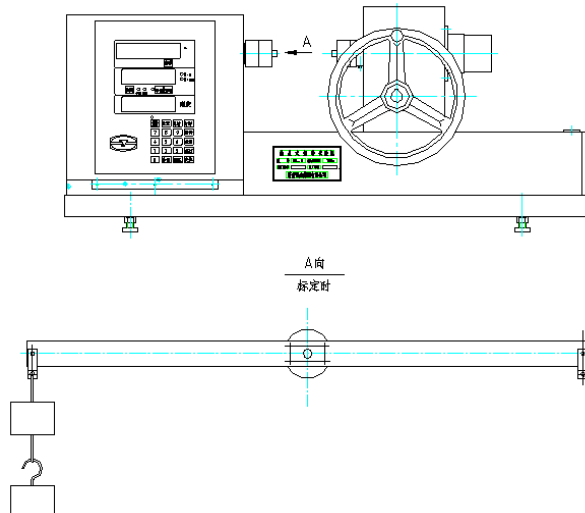
TIME Group Inc.
TIME-SHIJIN Group.

TNS-J series Digital Torsion testing machine (NJS series)



Specification:

Model Number	TNS-J01	TNS-J02
Maximum torque read (N.m)	100	200
Minimum read of torque (N.m)	0.06	
Available torque range (% of Full scale)	10-100	
Torsion angle read	0.05 degree ~ 9999.9 degree	
Relative error of torque	Less than 1%	
Repeatability relative error of torque	Less than 1%	
Sample diameter (recommended)	Φ5-Φ20mm	
Sample length (Test space)	255mm	
Power supply	220V 50Hz/ 60Hz 1 phase	
Machine dimension	960 x 440 x 420mm	
Machine weight (without custom accessory)	120kG	
Package dimension	1370 x 670 x 710mm	
Package weight (without custom accessory)	145kG	

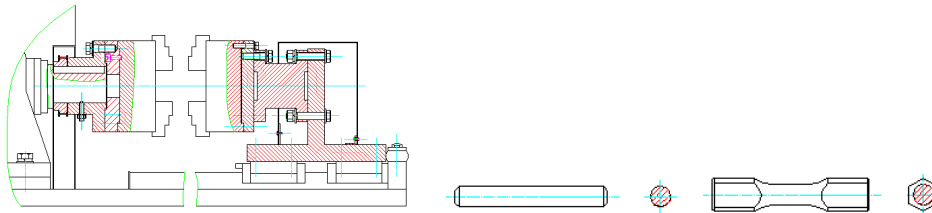


Standard accessory:

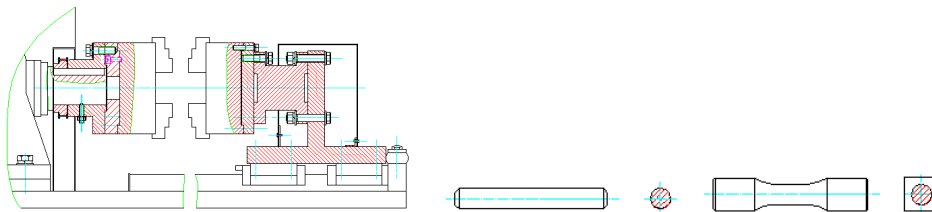
1. Machine frame
2. The grips for torsion test
3. Lever for calibration
4. The weight for calibration



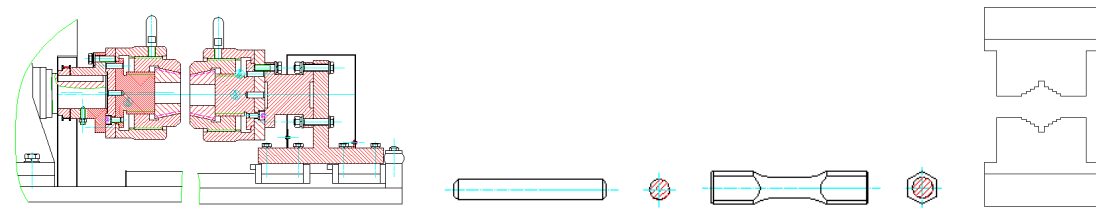
Optional accessory:



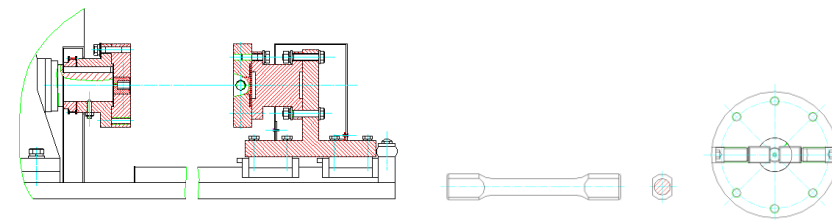
Three-Jaws clutch with the shape of specimen.



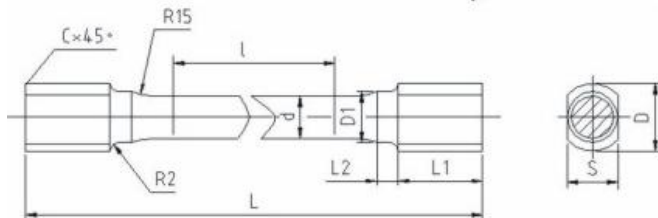
Four-Jaws clutch with the shape of specimen



V-insert clutch with the shape of specimen



Opposite clamp clutch with the shape of specimen



d	D	D1	S	l	L1	L	c	L2
8-11	16	12	12	10d	20	l+60	1	5
12-17	24	18	18	10d	20	l+70	2	10
18-25	32	27	24	10d	30	l+90	3	10

Sample shape for Original torsion grip